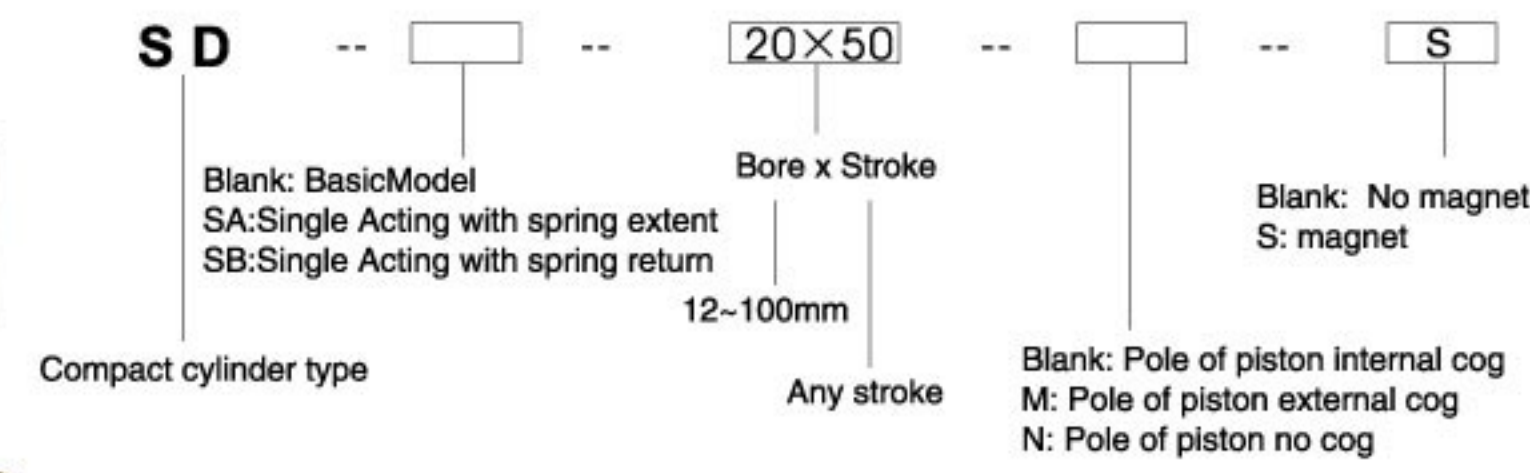


SD Series Compact Cylinder (Φ 12~Φ 100)



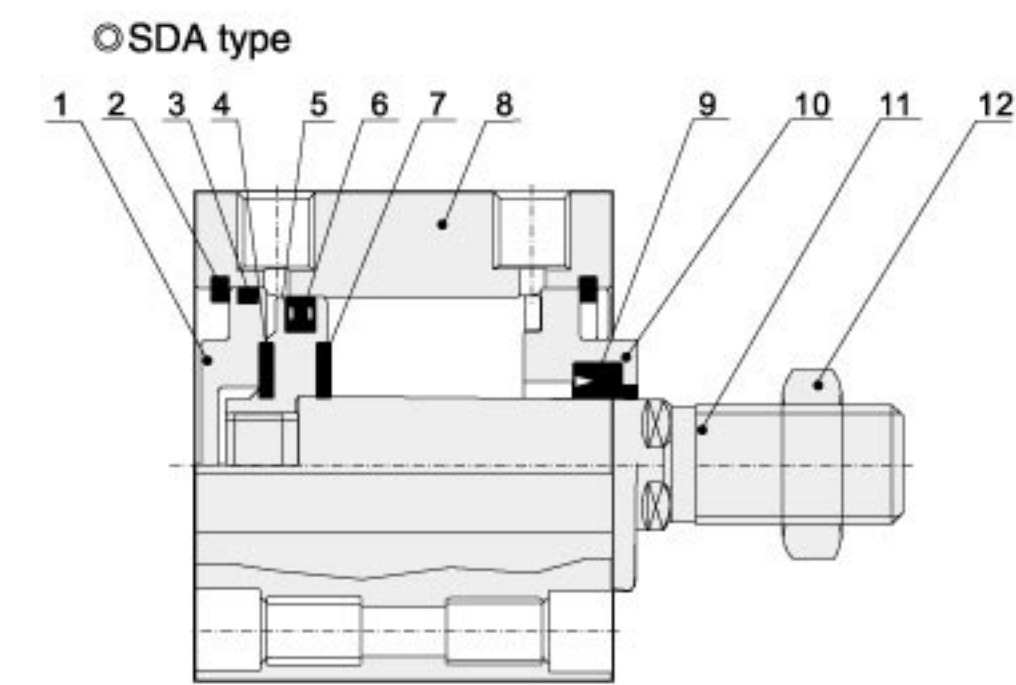
Product Features

- Thin and light-weighted
- With same action precision and working life, the compact cylinder is of 1/2~1/3 length of normal cylinder, therefore with high performance of thin shape and light weight.
- Magnetic switch
- Attached with fixture base, the cylinder is made easy to fix, keep and adjust the magnetic switch.

Specifications

Cylinder Diameter(mm)	12	16	20	25	32	40	50	63	80	100
Acting Mode	Double Activating									
	Single Acting Extrusion Type					Single Acting Drawing-in Type				
Working Medium	Air									
Range of working pressure Kg/cm ²	Double Acting		1 ~ 9.0							
	Single Acting		2~9							
Guaranteed withstanding pressure Kg/cm ²	13.5									
Range of working temperature °C	-5 ~ 70									
Speed range mm/s	Double Acting		30 ~ 500				30 ~ 350		30 ~ 250	
	Single Acting		100~500							
Buffer type	Fixed Buffer									
Joint Size(mm)	M5 x 0.8			PT1/8		PT1/4		PT3/8		

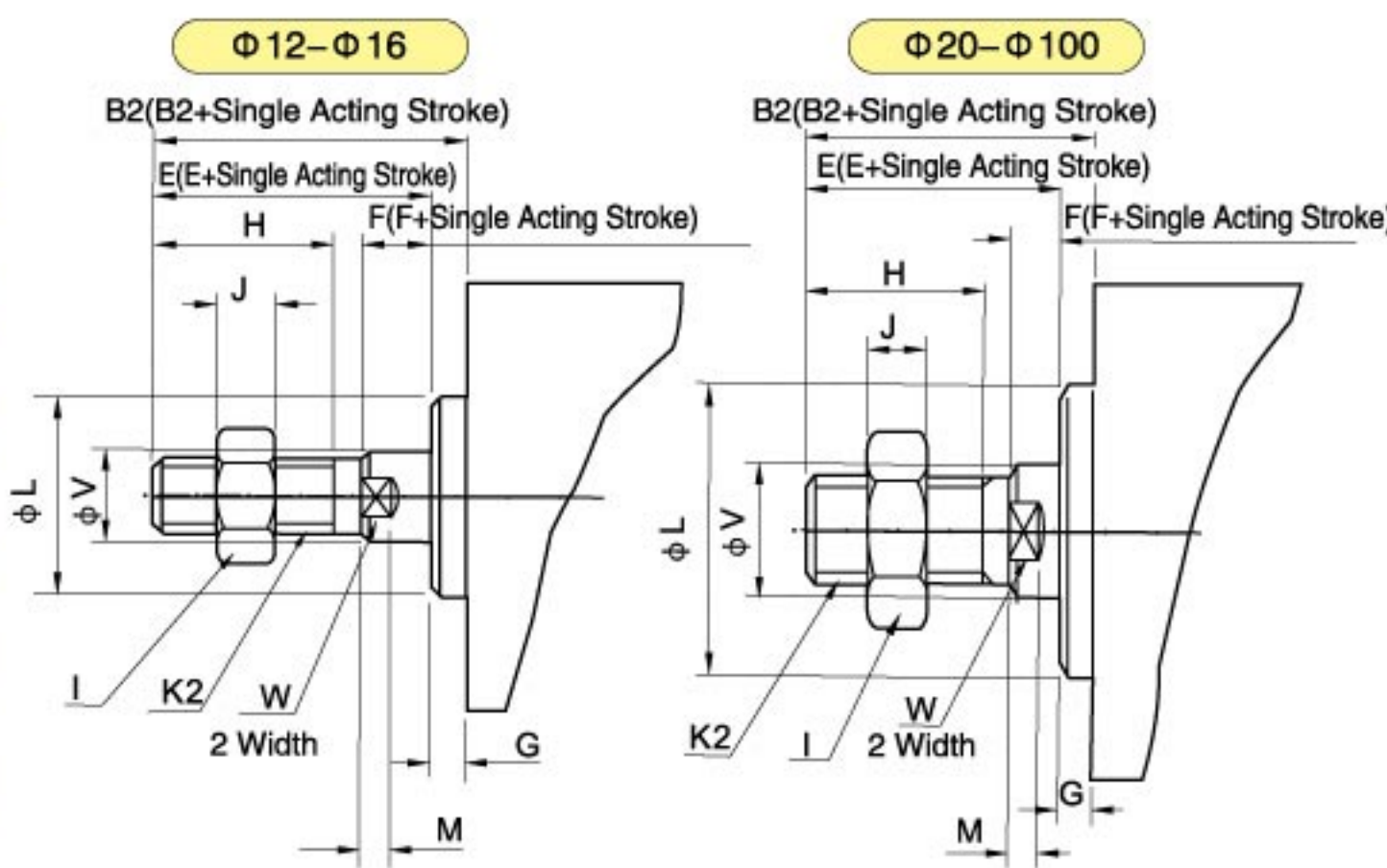
Internal construction



Item No.	Designation	Item No.	Designation
1	End Cap	2	Buckle
3	O-Ring / Head	4	Anti-bump cushion
5	Piston	6	O-Ring / Piston Seal
7	Anti-bump cushion	8	Cylinder Body
9	Head Cap Seal	10	Head Cap
11	Piston Rod	12	Piston Nut

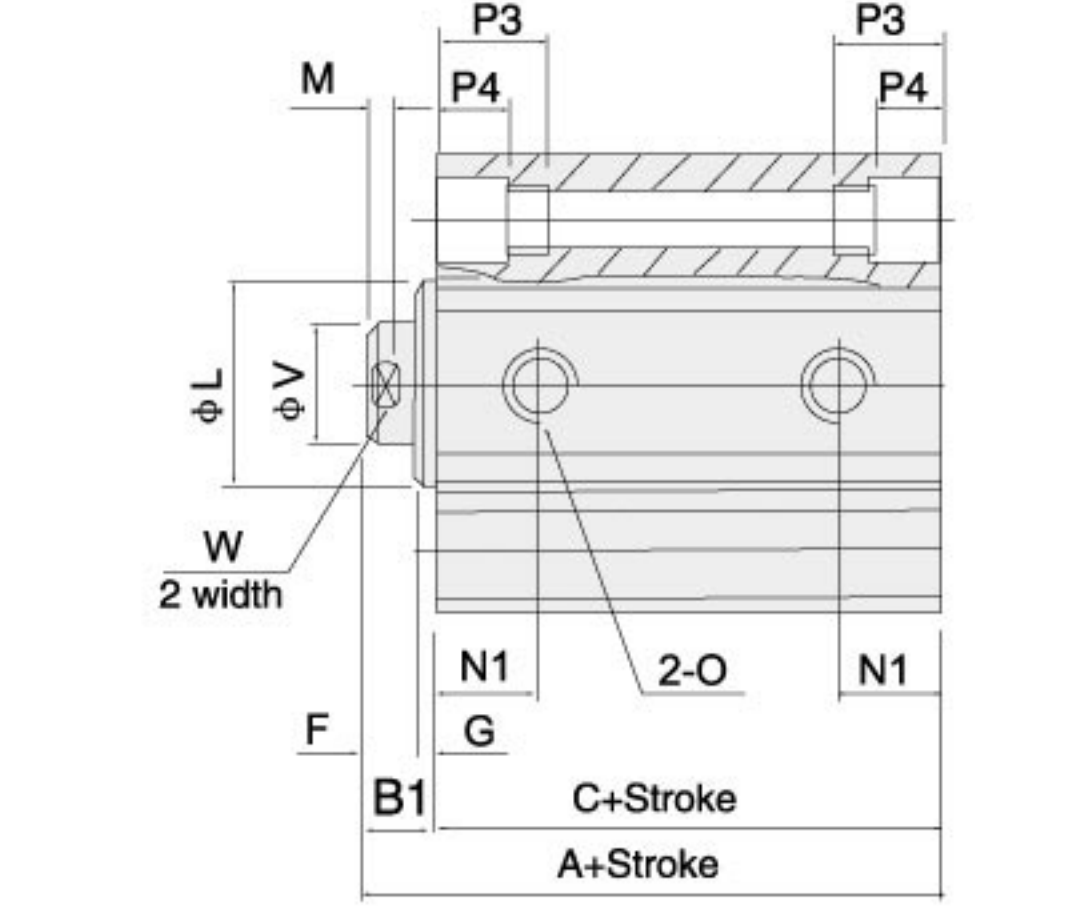
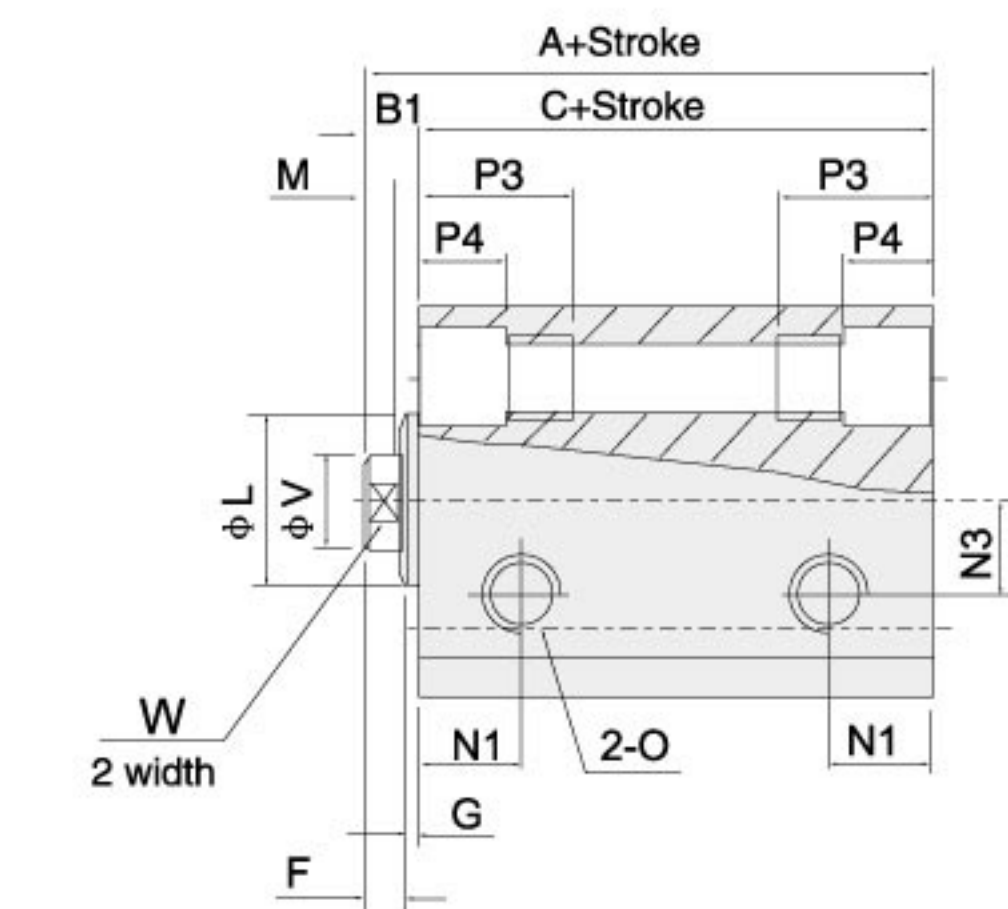
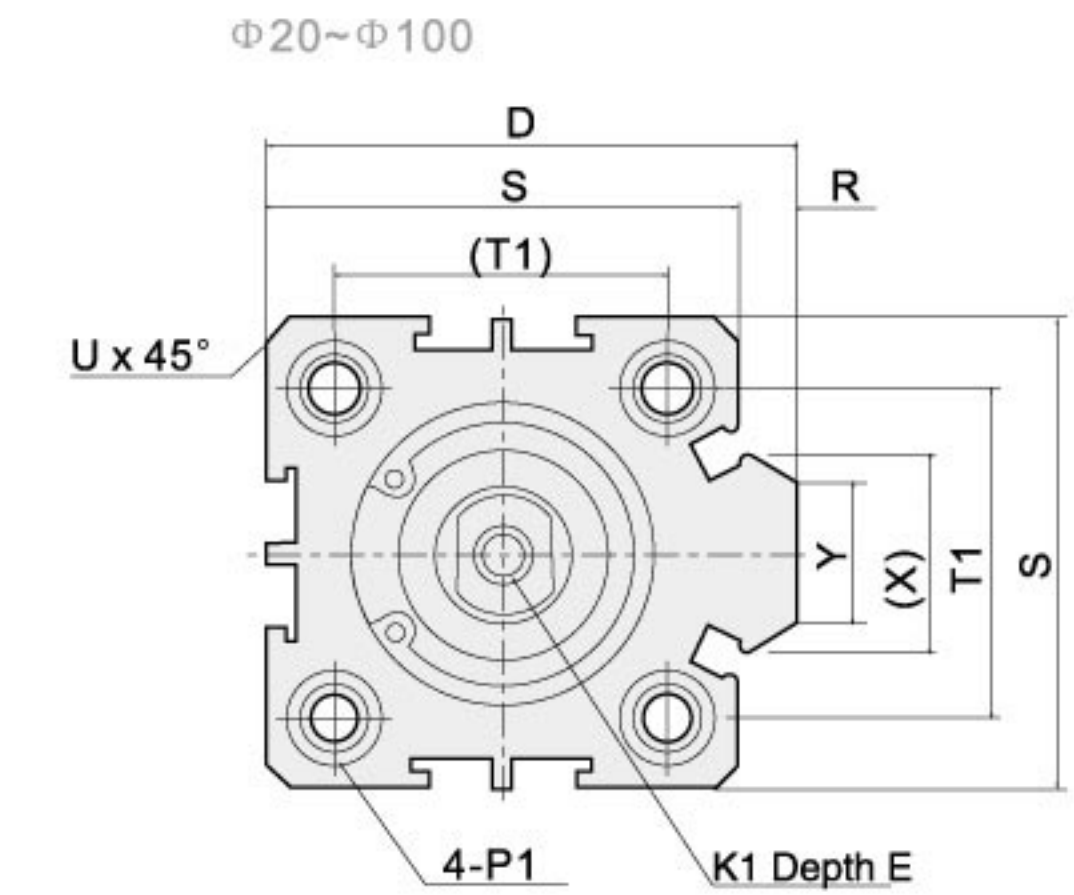
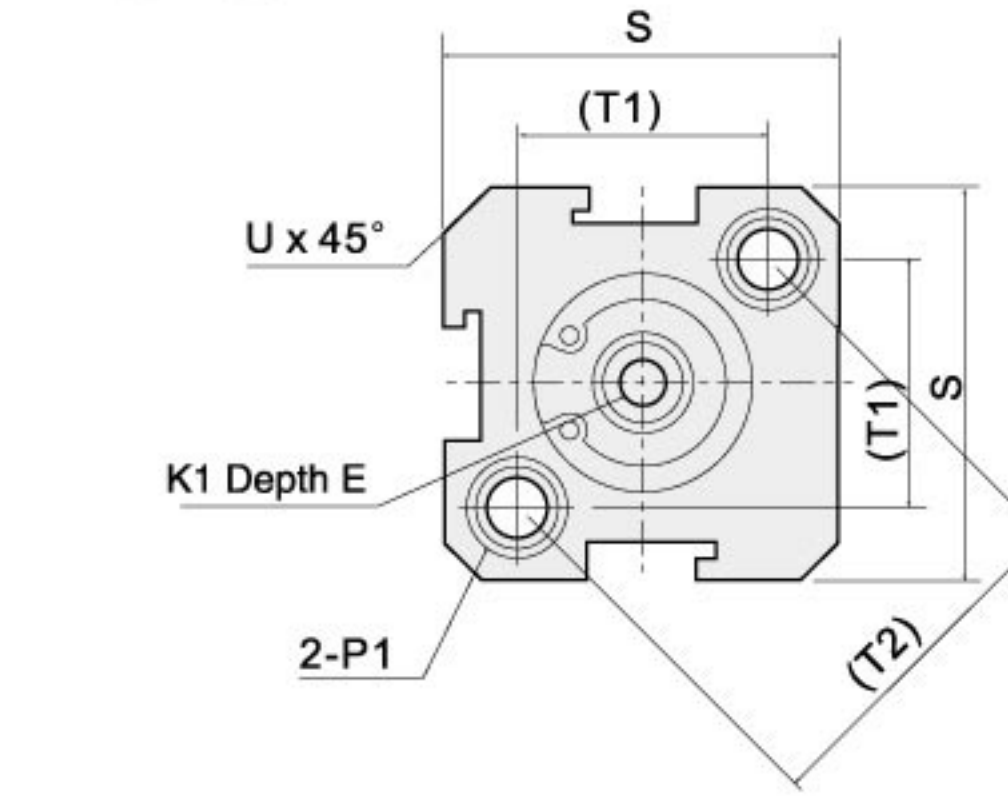
Male thread dimension

Bore/Symbol	B2	E	F	G	H	I	J	K2	L	M	V	W
12	17	16	4	1	10	8	4	M5x0.8	10.2	2.8	6	5
16	17.5	16	4	1.5	10	8	4	m5x0.8	11	2.8	6	5
20	20.5	19	4	1.5	13	10	5	m6x1.0	15	2.8	8	6
25	23	21	4	2	15	12	6	m8x1.25	17	2.8	10	8
32	25	22	4	3	15	17	6	m10x1.25	22	2.8	12	10
40	35	32	4	3	25	19	8	m14x1.5	28	2.8	16	14
50	37	33	5	4	25	27	11	m18x1.5	38	2.8	20	17
63	37	33	5	4	25	27	11	m18x1.5	40	2.8	20	17
80	44	39	6	5	30	32	13	m22x1.5	45	4	25	22
100	50	45	7	5	35	36	13	m26x1.5	55	4	32	27



Dimensions of SD model

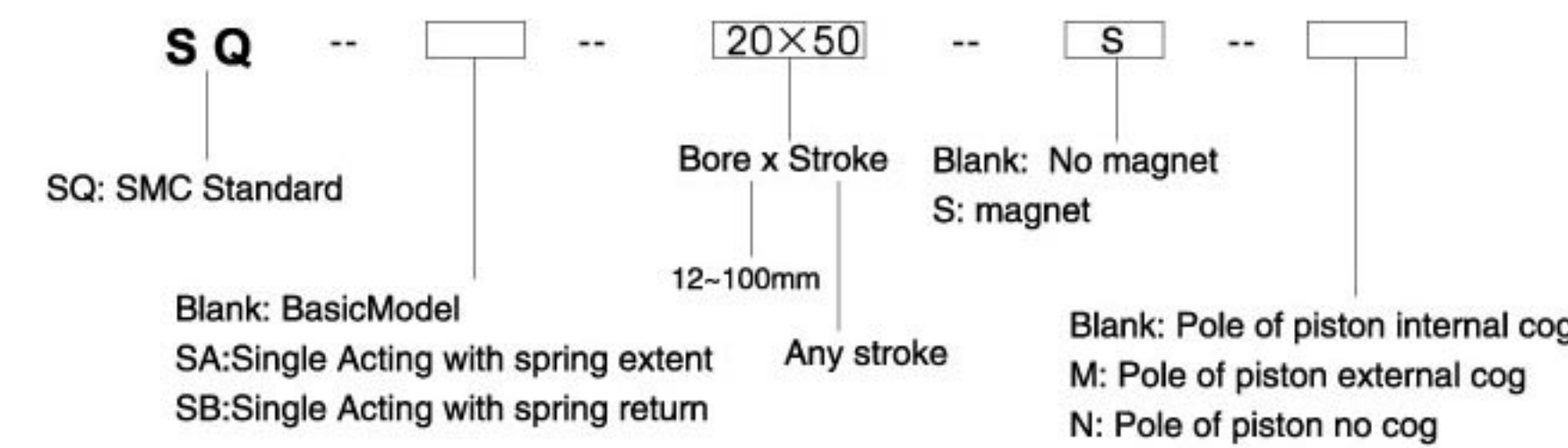
©SD, SD-S
Φ12~Φ16



Model	Standard Type			Attaching Magnet Type			D	F		F	G	K1	L	M	N1
	A	B1	C	A	B1	C		Stroke ≤ 10	Stroke > 10						
12	22	5	17	32	5	27	-	6	4	1	M3x0.5	10.2	2.8	6.3	
16	24	5.5	18.5	34	5.5	28.5	-	6	4	1.5	M3x0.5	11	2.8	7.3	
20	25	5.5	19.5	35	5.5	29.5	36	8	4	1.5	M4x0.7	15	2.8	7.5	
25	27	-	21	37	6	31	42	10	4	2	M5x0.8	17	2.8	8	
32	31.5	7	24.5	41.5	7	34.5	50	12	4	3	M6x1	22	2.8	9	
40	33	7	26	43	7	36	58.5	12	4	3	M8x1.25	28	2.8	10	
50	37	9	28	47	9	38	71.5	15	5	4	M10x1.5	38	2.8	10.5	
63	41	9	32	51	9	42	84.5	15	5	4	M10x1.5	40	2.8	11.8	
80	52	11	41	62	11	51	104	15	20	6	5	M14x1.5	45	4	14.5
100	63	12	51	73	12	61	124	18	20	7	5	M18x1.5	55	4	20.5

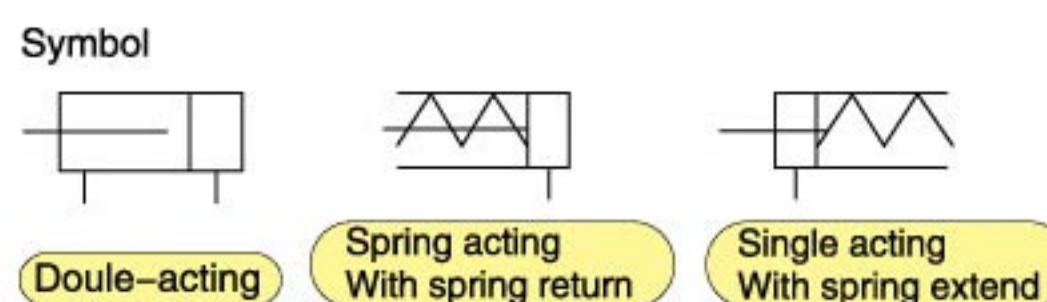
Bore/Symbol	N3	O	P1									
			P3	P4	R	S	T1	T2	U	V	W	X
12	6	M5x0.8	Double Side: φ 6.5 Cog M5x0.8 Through Hole: φ 4.2									
16	6.5	M5x0.8	Double Side: φ 6.5 Cog M5x0.8 Through Hole: φ 4.2									
20	-	M5x0.8	Double Side: φ 6.5 Cog M5x0.8 Through Hole: φ 4.2									
25	-	M5x0.8	Double Side: φ 8.2 Cog M6x10 Through Hole: φ 4.6									
32	-	PT1/8	Double Side: φ 8.2 Cog M6x10 Through Hole: φ 4.6									
40	-	PT1/8	Double Side: φ 10 Cog M8x1.25 Through Hole: φ 6.5									
50	-	PT1/4	Double Side: φ 11 Cog M8x1.25 Through Hole: φ 6.5									
63	-	PT1/4	Double Side: φ 11 Cog M8x1.25 Through Hole: φ 6.5									
80	-	PT3/8	Double Side: φ 14 Cog M12x1.75 Through Hole: φ 9.2									
100	-	PT3/8	Double Side: φ 17.5 Cog M14x2 Through Hole: φ 11.3									

SQ Series Compact Cylinder (Φ 12~Φ 100)

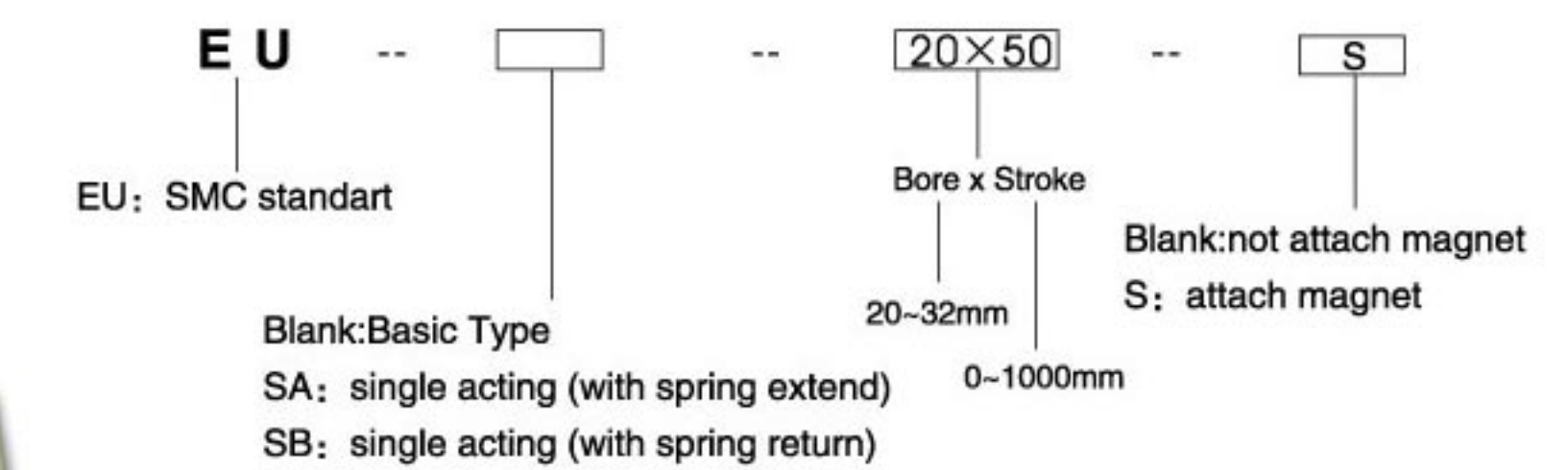


Specifications

Cylinder Diameter (mm)	12	16	20	25	32	40	50	63	80	100
Fluid	Air									
Acting Mode	Double-acting Single acting :with spring return / with spring extend									
Ensured Pressure Resistance	1.5kgf/cm ²									
Working-pressure	1.0kgf/cm ²									
Ambient and Medium Temperature	5~60°C									
Thread Type	Inner Thread(Standard)					Outer Thread(Optional)				
Cushion	0									
Tolerance of Stroke	+1.0 0									
Lubrication	Not Required									
Installation	Through Hole (Standard), Inner size on the two sides(Optional)									
Joint Tube Caliber	M5x0.8			1 / 8		1 / 4		3 / 8		



EU Series free installation cylinder (Φ 6~Φ 32)



Specifications

Cylinder Diameter (mm)	6	10	16	20	25	32
Acting Mode	Double-acting Single acting :with spring return / with spring extend					
Ensured Pressure Resistance	1.0Mpa(10.5kgf/cm ²)					
Working-pressure	0.7Mpa(7.1kgf/cm ²)					
Ambient and Medium Temperature	5~60°C					
Cushion	Rubber Cushion					
Joint Tube Caliber	M5x0.8			1/8		

