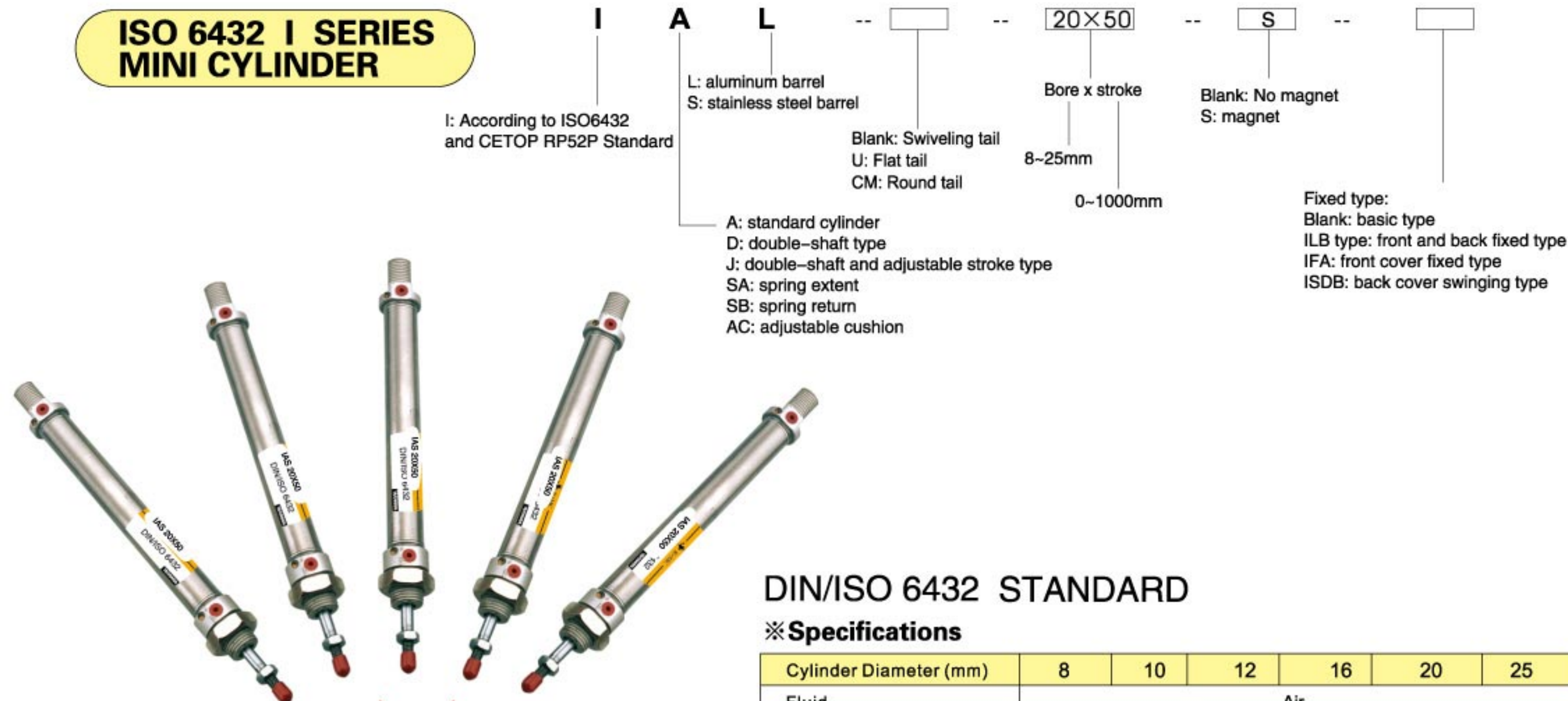


**ISO 6432 I SERIES MINI CYLINDER**



**DIN/ISO 6432 STANDARD**

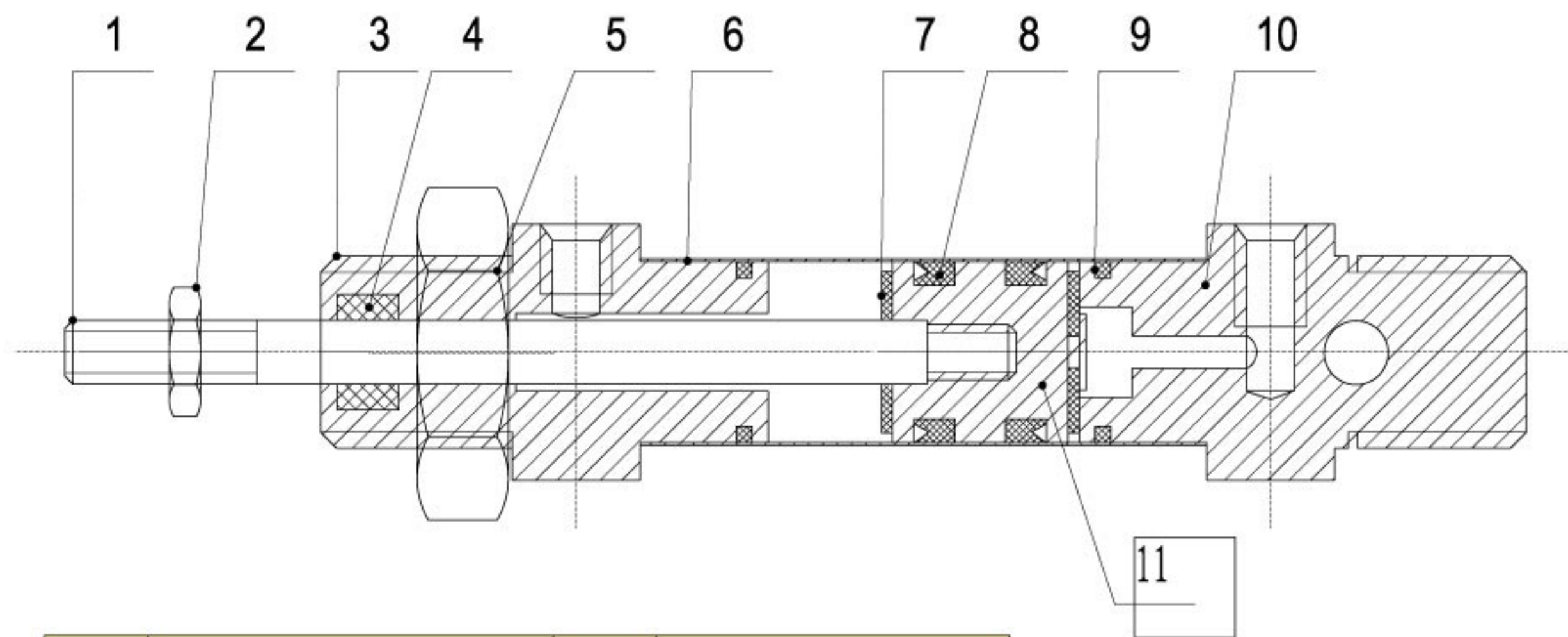
**※Specifications**

Cylinder Diameter (mm)	8	10	12	16	20	25
Fluid	Air					
Acting Mode	Double-acting			Single acting		
Working-pressure	0.1-1.0Mpa					
Working-temperature	0-80°C (For dry air -20°C)					
Material	Aluminum barrel Stainless steel barrel and piston rod PTFE Seal Material					
Cushion	—			Adjustable air cushion		
Speed	Min. 10mm / s			Max. 1000mm / s		



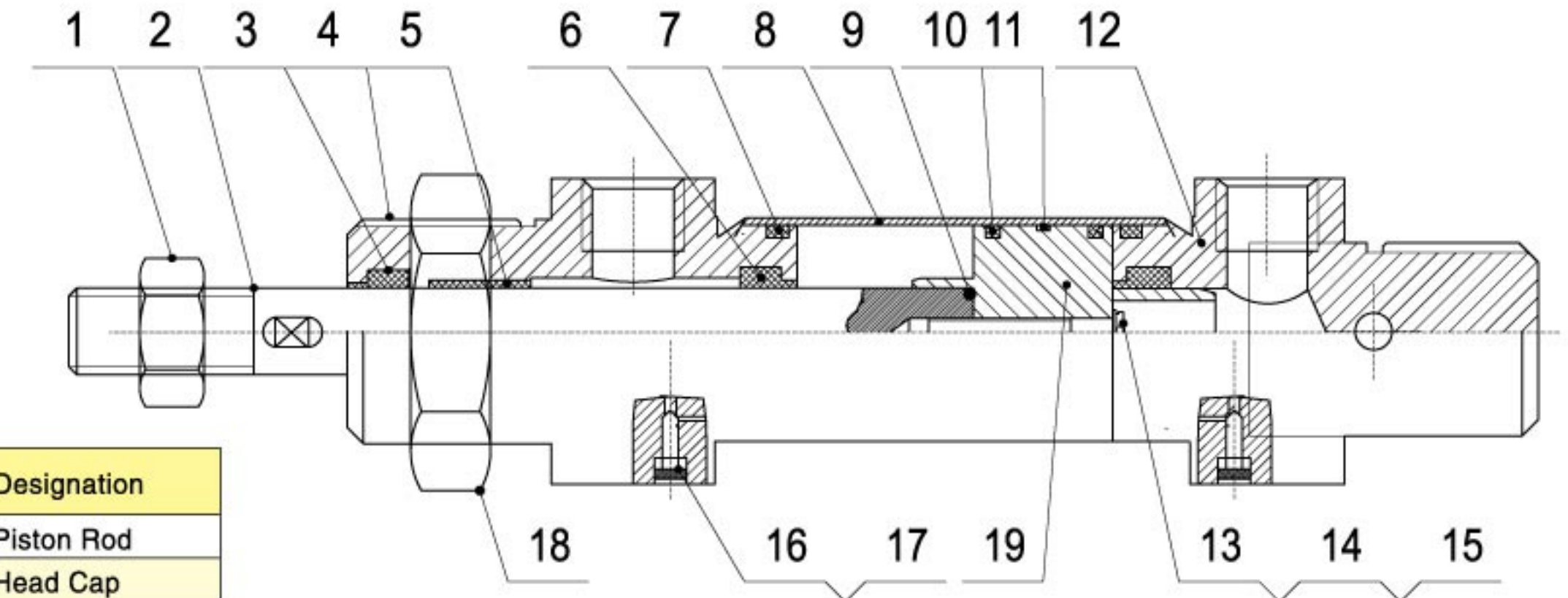
**※Internal construction**

Φ8-Φ12



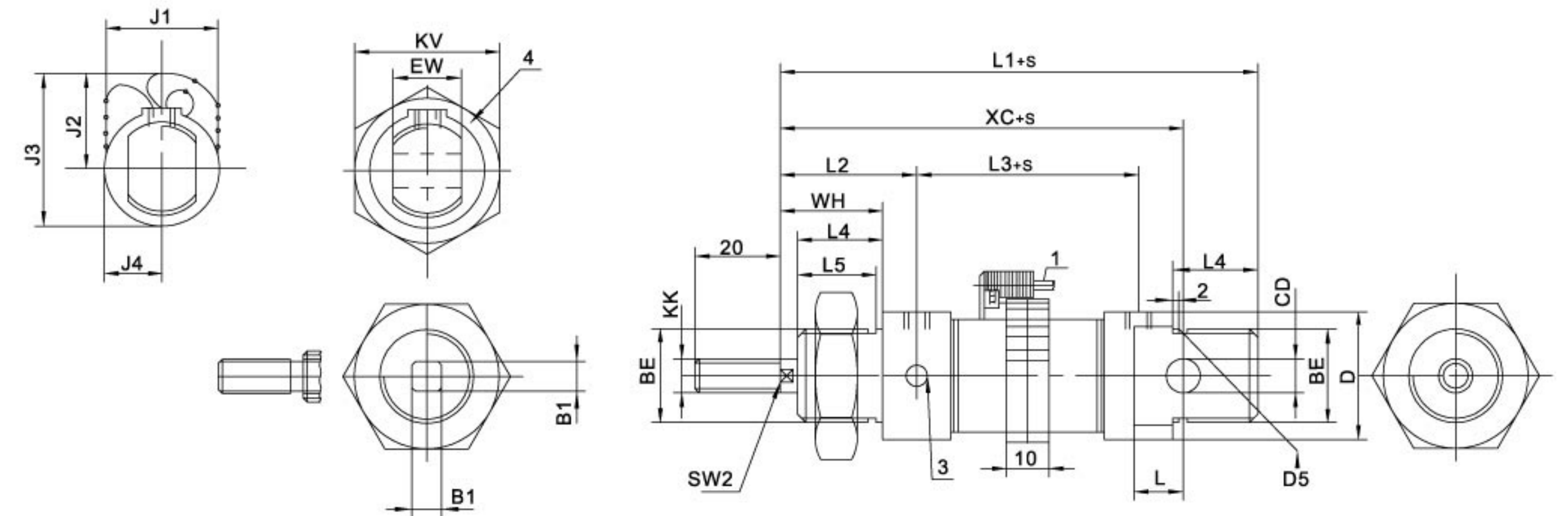
Item No.	Designation	Item No.	Designation
1	Piston Rod	2	Screw Nut
3	Front End Cover	4	Dust-proof Ring
5	Screw Cut	6	Barrel
7	Cushion gasket	8	Y Type-Ring
9	O-ring	10	Back End Cover
11	Piston	12	

Φ16-Φ25



Item No.	Designation	Item No.	Designation
1	Piston Nut	2	Piston Rod
3	Dust-proof Ring	4	Head Cap
5	Bearing	6	Cushion Ring
7	O-ring	8	Barrel
9	O-ring	10	Y Type-Ring
11	Wearable Ring	12	Back End Cover
13	Screw	14	Plain Cushion
15	Spring Cushion	16	Cushion Screw
17	O-ring	18	Screw Nut
19	Piston		

**※ISO6432 Basic dimensions**



1-Store switch 2- Bracket SMBR-10-25 3-Fixing hole  
4-Cushion screw S-Stroke

Bore	AM	B1 f8	BE	CD	D	D5 f9	D6	EE	EW	J1	J2	J3	J4
8	12		M12*1.25	4	15	12	9.3	M5	8	20.4	16.5	23.2	13.9
10	12	5.5	M12*1.25	4	15	12	11.3	M5	8	22	18.2	25.9	13.8
12	16	5.5	M16*1.5	6	20	16	13.3	M5	12	22	20	28.6	11
16	16	7	M16*1.5	6	20	16	17.3	M5	12	22.5	22.5	33.2	11
20	20	9	M22*1.5	8	27	22	21.3	G1/8	16	26.5	22.5	35.3	13
25	22		M22*1.5	8	27	22	26.5	G1/8	16	31.5	25	40.2	16

Bore	KK	KV	KW	L	L1	L2	L3	L4	L5	Sw2	WH	XC
8	M4	19	6	6	74	22	34	12	10	5	16	64
10	M4	19	6	6	74	22	34	12	10	5	16	64
12	M6	24	8	9	89	28	38	17	15	7	22	75
16	M6	24	8	9	95	28	44	17	15	9	22	82
20	M8	32	11	12	112	32	51.6	20	18		24	95
25	M10*1.25	32	11	12	119.5	36	53.1	22	20		28	104